

1.0 Example Dynamic 3D Display

This example will display a dynamic 3D plot of a box with a freestanding doorway. *Figure 1-1* shows the result.

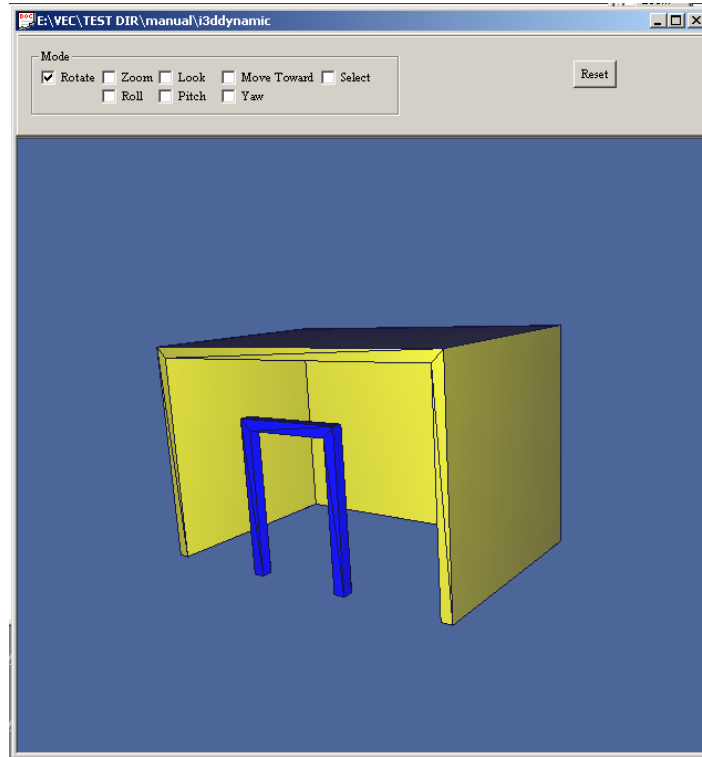
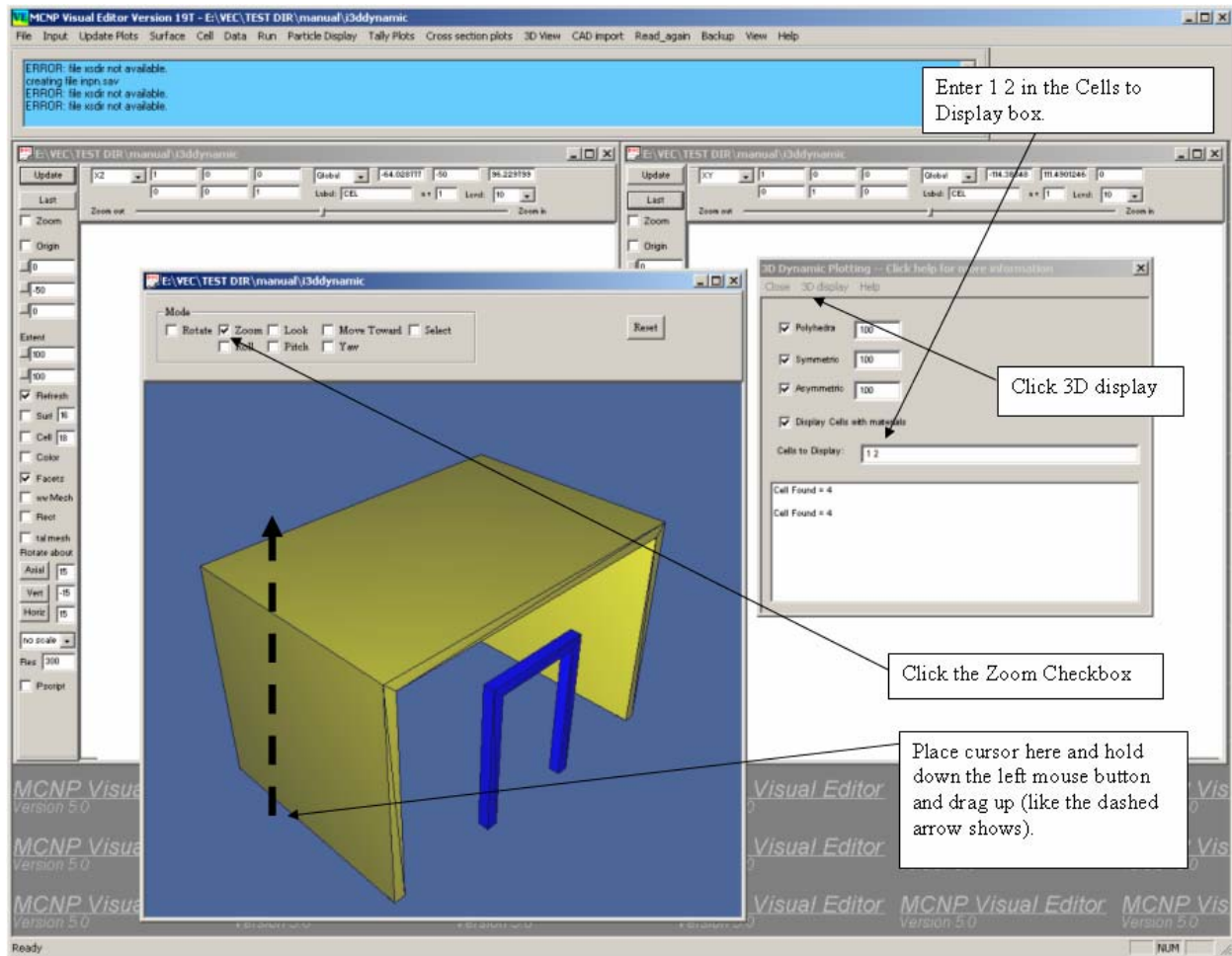


Figure 1-1 3D Display of Box and Doorway

Start the Visual Editor

Click on File...Open and select the **i3ddynamic** input file

Click on Update Plots.



On the Visual Editor Main Menu, **click on 3D View...Dynamic 3D Display.**

Type 1 2 in the **Cells to Display** box.

On the 3D Dynamic Plotting Panel, **Click 3D Display.**

A new window opens and shows the box with the free standing doorway.

Click the Zoom checkbox.

Place the cursor on the 3D picture and **hold the mouse button down while sliding up.** This will zoom in. Similarly, holding the mouse button down while sliding down will zoom out.

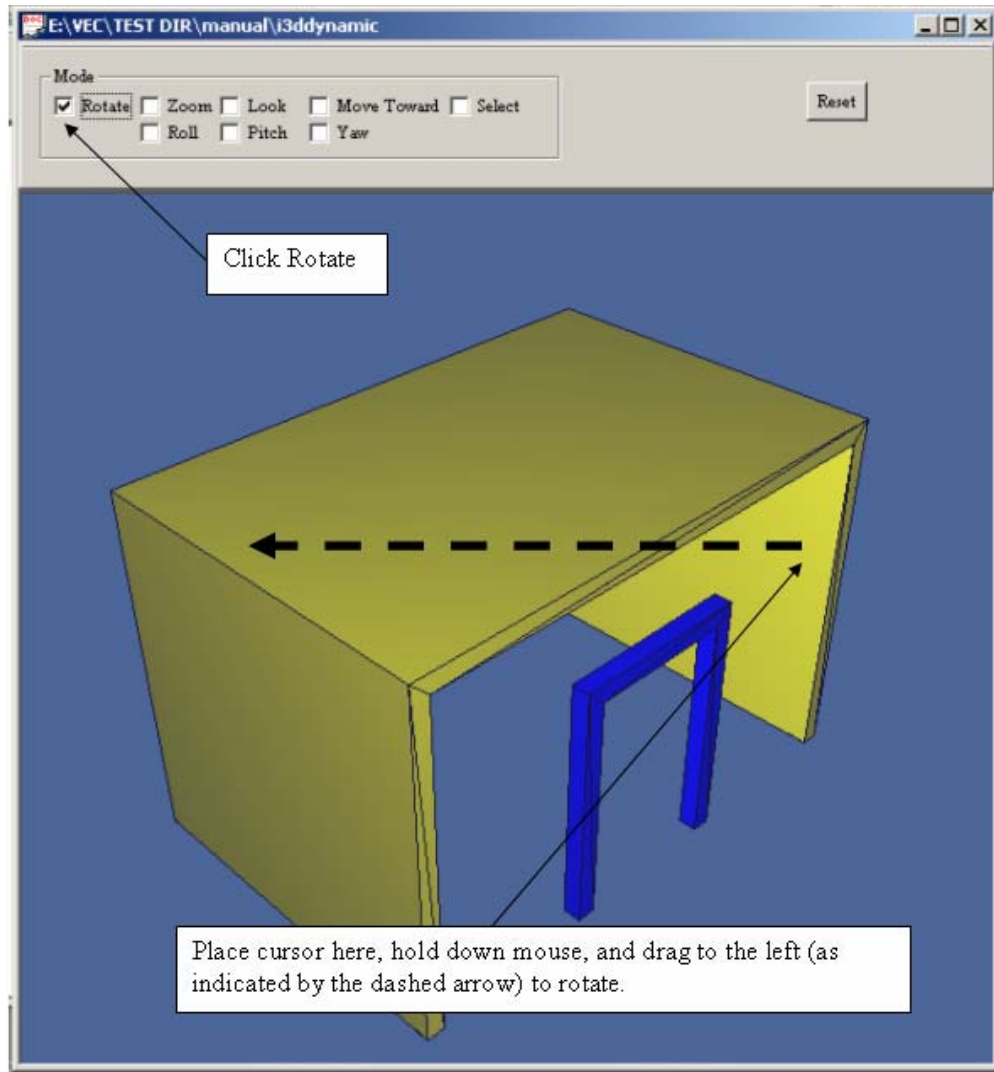


Figure 1-2 Rotate object.

Click the Rotate Checkbox.

Place cursor on the 3D plot and **hold the mouse down to drag to the left**. The object rotates.

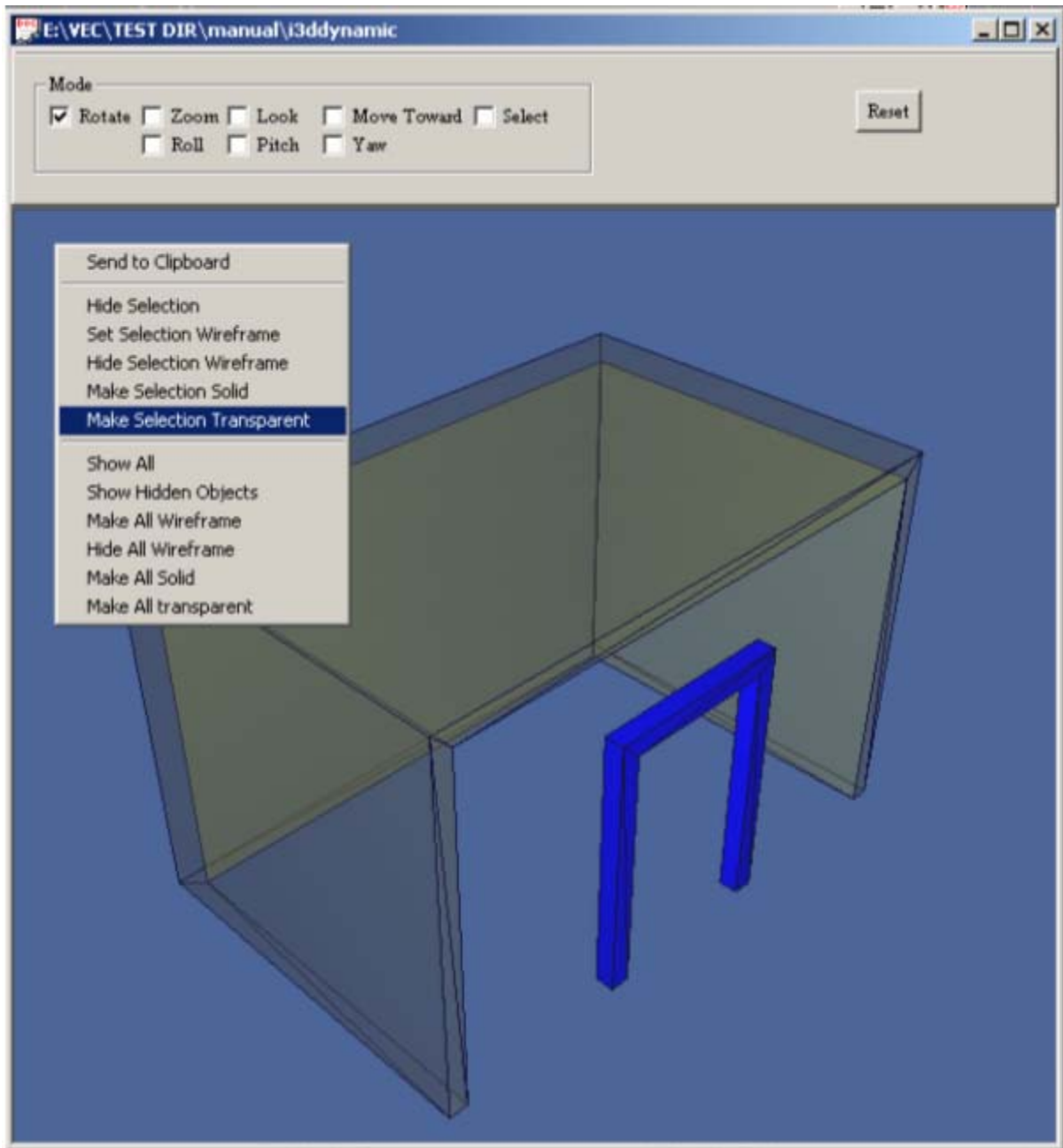


Figure 1-3 Transparent Box and Doorway

Right Click on the box to select it. On the menu that appears, **click on Make Selection Transparent**.